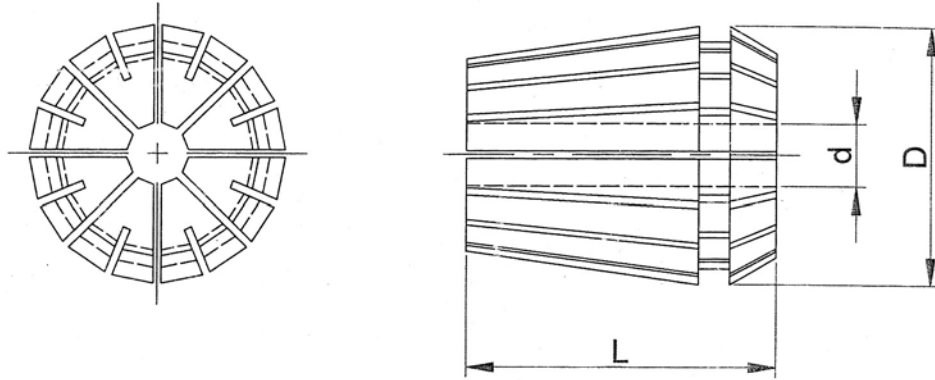


Collets Capacity 3/16 - 3/20 - 3/26

Type ER 25 - 32 -40 DIN 6499/B



| ER25 | | | ER32 | | | ER40 | | | Range |
|-------------------|----|----|-------------------|----|----|-------------------|----|----|-------|
| Code Cap. 3/16 | D | L | Code Cap. 3/20 | D | L | Code Cap. 3/26 | D | L | |
| 99901A | 26 | 35 | 99816S | 33 | 40 | - | - | - | 3-2 |
| 99902B | 26 | 35 | 99817T | 33 | 40 | 99936V | 41 | 46 | 4-3 |
| 99903C | 26 | 35 | 99818V | 33 | 40 | 99937Z | 41 | 46 | 5-4 |
| 99904D | 26 | 35 | 99819Z | 33 | 40 | 99938A | 41 | 46 | 6-5 |
| 99905E | 26 | 35 | 99820A | 33 | 40 | 99939J | 41 | 46 | 7-6 |
| 99906F | 26 | 35 | 99821B | 33 | 40 | 99940B | 41 | 46 | 8-7 |
| 99907G | 26 | 35 | 99822C | 33 | 40 | 99941C | 41 | 46 | 9-8 |
| 99908H | 26 | 35 | 99823D | 33 | 40 | 99942D | 41 | 46 | 10-9 |
| 99909L | 26 | 35 | 99824E | 33 | 40 | 99943E | 41 | 46 | 11-10 |
| 99910M | 26 | 35 | 99825F | 33 | 40 | 99944F | 41 | 46 | 12-11 |
| 99911N | 26 | 35 | 99826G | 33 | 40 | 99945G | 41 | 46 | 13-12 |
| 99912P | 26 | 35 | 99827H | 33 | 40 | 99946H | 41 | 46 | 14-13 |
| 99913Q | 26 | 35 | 99828L | 33 | 40 | 99947L | 41 | 46 | 15-14 |
| 99914R | 26 | 35 | 99829M | 33 | 40 | 99948M | 41 | 46 | 16-15 |
| | | | 99830N | 33 | 40 | 99949N | 41 | 46 | 17-16 |
| | | | 99831P | 33 | 40 | 99950P | 41 | 46 | 18-17 |
| | | | 99832Q | 33 | 40 | 99951Q | 41 | 46 | 19-18 |
| | | | 99833R | 33 | 40 | 99952R | 41 | 46 | 20-19 |
| | | | | | | 99953S | 41 | 46 | 21-20 |
| | | | | | | 99954T | 41 | 46 | 22-21 |
| | | | | | | 99955V | 41 | 46 | 23-22 |
| | | | | | | 99956Z | 41 | 46 | 24-23 |
| | | | | | | 99957W | 41 | 46 | 25-24 |
| | | | | | | 99959A | 41 | 46 | 26-25 |

Special tool holders are made on request